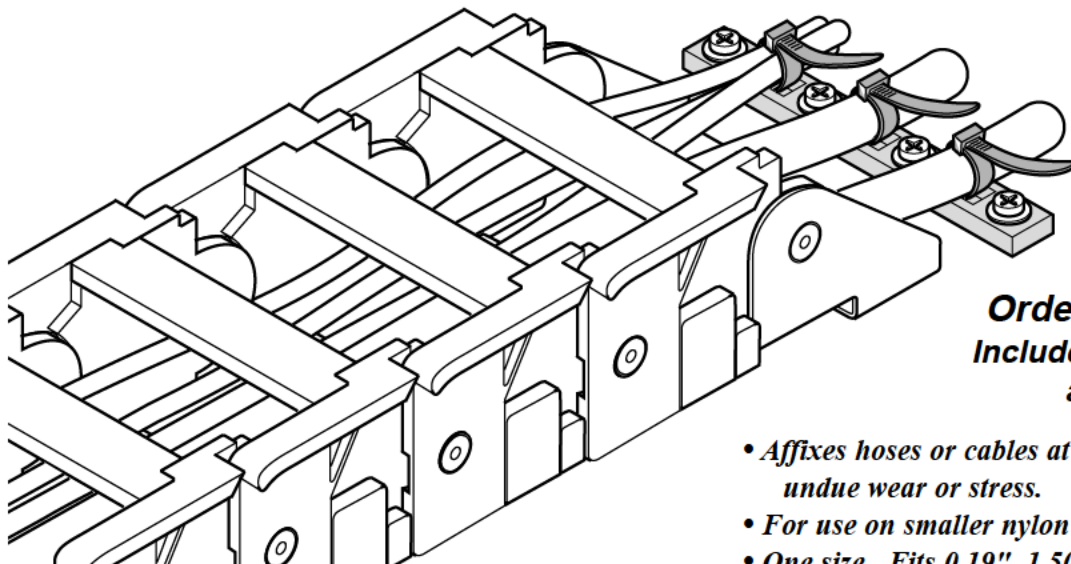
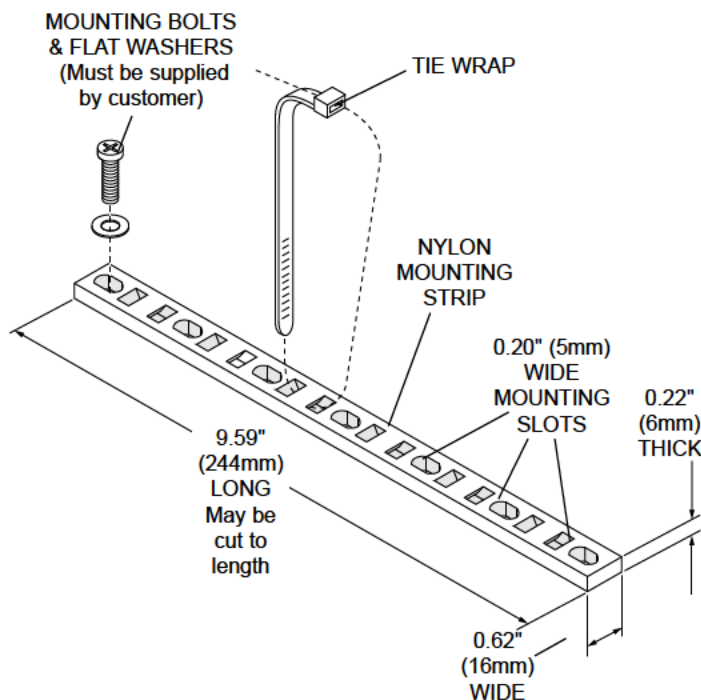
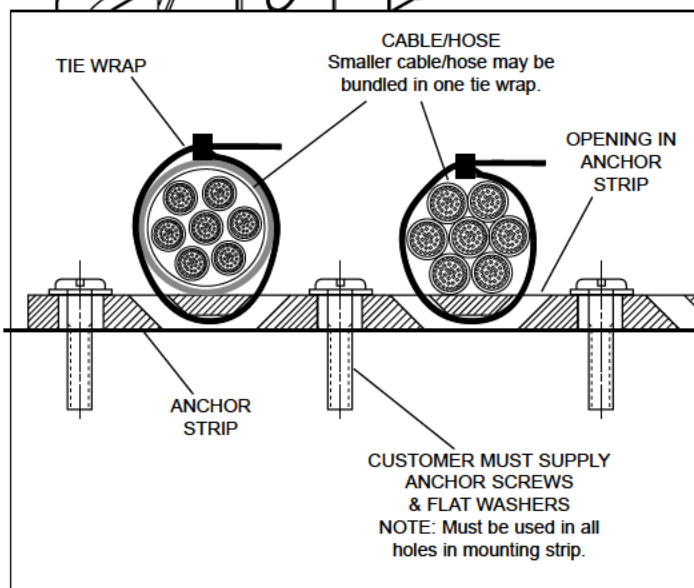


# GLEASON **PowerTrak** CABLE/HOSE ANCHOR STRIP



**Order Part No. 041245**  
Includes nylon anchor strip  
and 6 tie wraps

- Affixes hoses or cables at ends of trak to prevent undue wear or stress.
- For use on smaller nylon or steel trak.
- One size. Fits 0.19"–1.50" o.d. cable/hose or bundle.
- Each kit includes nylon anchor strip and 6 tie wraps. Mounting hardware not included.
- Anchor strip may be cut to length required.



## INSTALLATION

1. If desired, cut anchor strip to match trak width or to provide required number of tie positions.
2. Securely affix anchor strip using screws and flat washers appropriate for surface material.
3. Position cables/hoses. Slide tie wrap through opening in anchor strip and tighten securely around cable/hose.



## Gleason Reel Corp.

600 S. Clark St.  
Mayville, Wisconsin 53050-0026  
Phone 920-387-4120 • FAX 920-387-4189



## Zampini Industrial Group

Trusted Industrial Suppliers Since 1986

85 Industrial Circle, Suite 2211

Lincoln, RI 02865

USA

Factory Authorized Gleason Reel Suppliers  
FAST Quotes, FAST Delivery!



### ZAMPINI INDUSTRIAL GROUP



Contact Us For Your Gleason Reel Products and Parts Today!

Email Us

Call Us

Fax Us



[info@AirToolPro.com](mailto:info@AirToolPro.com)

1-800-353-4676  
1-401-305-7997

1-401-305-7988



We Respond **FAST!**  
Minimize Your Downtime!



Numerous Ways To Get Pricing



Guaranteed Satisfaction!  
Excellent Service Since 1967!



Everyday Discounts  
Quantity Discounts  
Email Specials  
Low Price Guarantee