

GLEASON PowerTrak[®] GRP GTYPE

SPLICING INSTRUCTIONS

TYPE	SPLICE KIT P/N
PT25G & PT28G	03760701
PT35G	03760702
PT45G	03760703

EACH KIT CONTAINS:

- (1) Flat Plate
- (1) Pin-Pusher
- (1) Ring Socket Thrust Plate
- (6) Hinge Pins

LINK DISASSEMBLY (Figure 1)

- A: Align pin pusher with inside surface of hinge pin.
- B: Place ring socket thrust plate over outside flange of hinge pin.
- C: Use C-clamp to apply force with pin pusher until pin is free of links.

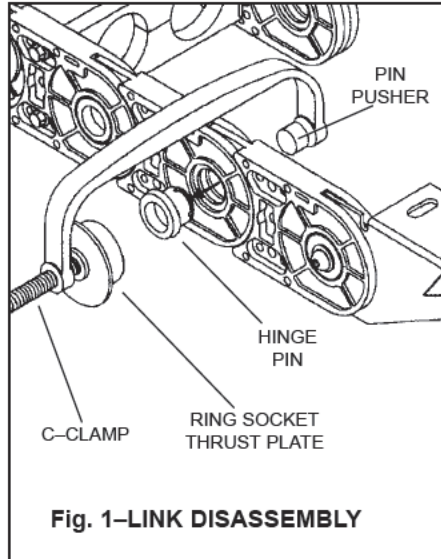


Fig. 1—LINK DISASSEMBLY

LINK ASSEMBLY (Figure 2)

- A: Slide trak links together.
- B: Align hinge pin with hole, flange end to outside. **NOTE: Do not install used hinge pins. Every splice must be made with new pins.**
- C: Place plates on both sides, as shown.
- D: Apply force to hinge pin until seated against the link using a C-clamp.

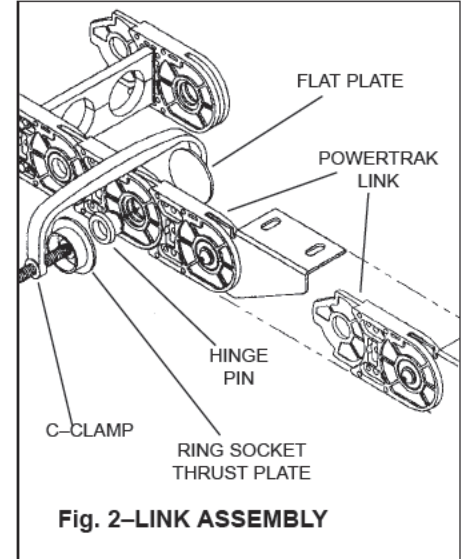


Fig. 2—LINK ASSEMBLY

MOUNTING BRACKET ATTACHMENT

If mounting brackets must be attached, refer to Figs. 3 & 4 below.

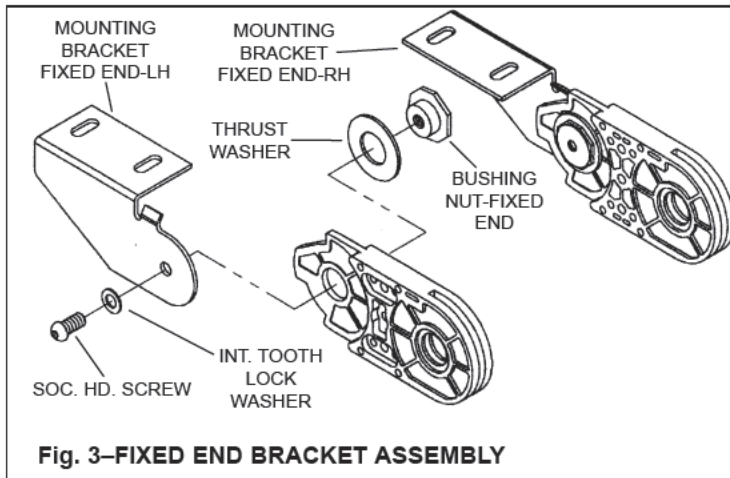


Fig. 3—FIXED END BRACKET ASSEMBLY

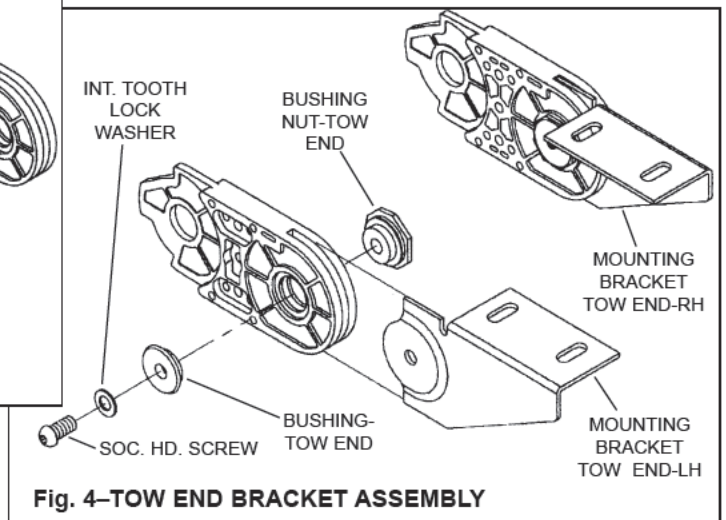


Fig. 4—TOW END BRACKET ASSEMBLY



GLEASON REEL CORP.

600 South Clark St.
Mayville, WI 53050
Phone: 920-387-4120
FAX: 920-387-4189

Supersedes Bulletin PT-128
PN 044524.a



Zampini Industrial Group

Trusted Industrial Suppliers Since 1986

85 Industrial Circle, Suite 2211

Lincoln, RI 02865

USA

Factory Authorized Gleason Reel Suppliers
FAST Quotes, FAST Delivery!



ZAMPINI INDUSTRIAL GROUP



Contact Us For Your Gleason Reel Products and Parts Today!

Email Us

Call Us

Fax Us



info@AirToolPro.com

1-800-353-4676
1-401-305-7997

1-401-305-7988



We Respond **FAST!**
Minimize Your Downtime!



Numerous Ways To Get Pricing



Guaranteed Satisfaction!
Excellent Service Since 1967!



Everyday Discounts
Quantity Discounts
Email Specials
Low Price Guarantee