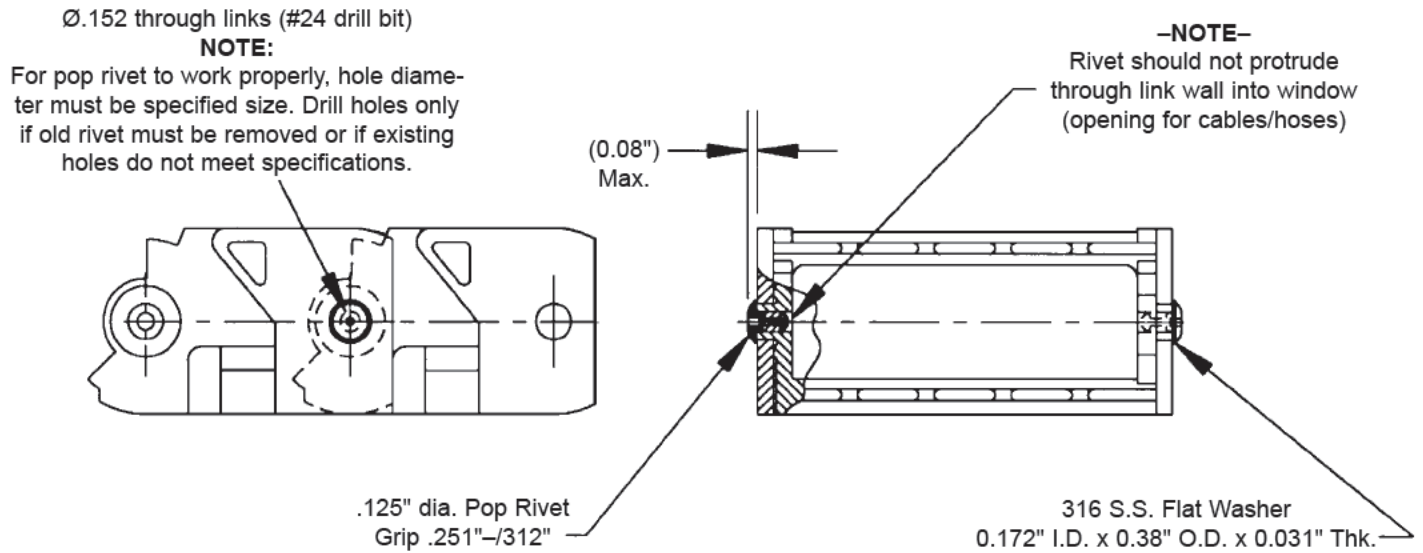


INSTALLATION INSTRUCTIONS

162P PowerTrak Rivet Splice

Kit is used to splice Gleason style 162P links with special 0.152" diameter holes. Each kit consists of four (4) pop rivets and four (4) flat washers. A standard duty blind rivet tool with a nosepiece for .125" dia. rivets is required.



INSTALLATION

1. Drill out old rivets if required, being sure holes in links do not exceed 0.152" dia. On new links, check to make sure holes are 0.152; dia. Drill out if necessary using #24 drill bit.
2. Align holes in links as shown above.
3. Using blind rivet tool, insert rivets with flat washers into holes and seat rivets.
4. Check to make sure links pivot freely. Rivets must not protrude into cable/hose area nor extend more than 0.08" from outside surfaces of links. See drawing above. Install new rivets if necessary.



Gleason Reel Corp.

600 South Clark St.
Mayville, Wisconsin 53050-0026
Phone 920-387-4120
FAX 920-387-4189



Zampini Industrial Group

Trusted Industrial Suppliers Since 1986

85 Industrial Circle, Suite 2211

Lincoln, RI 02865

USA

Factory Authorized Gleason Reel Suppliers
FAST Quotes, FAST Delivery!



**ZAMPINI
INDUSTRIAL
GROUP**



Contact Us For Your Gleason Reel Products and Parts Today!

Email Us



info@AirToolPro.com

Call Us



1-800-353-4676
1-401-305-7997

Fax Us



1-401-305-7988



**We Respond
FAST!**
Minimize Your
Downtime!



**Numerous
Ways To
Get Pricing**



**Guaranteed
Satisfaction!**
Excellent Service
Since 1987!



**Everyday Discounts
Quantity Discounts
Email Specials
Low Price Guarantee**