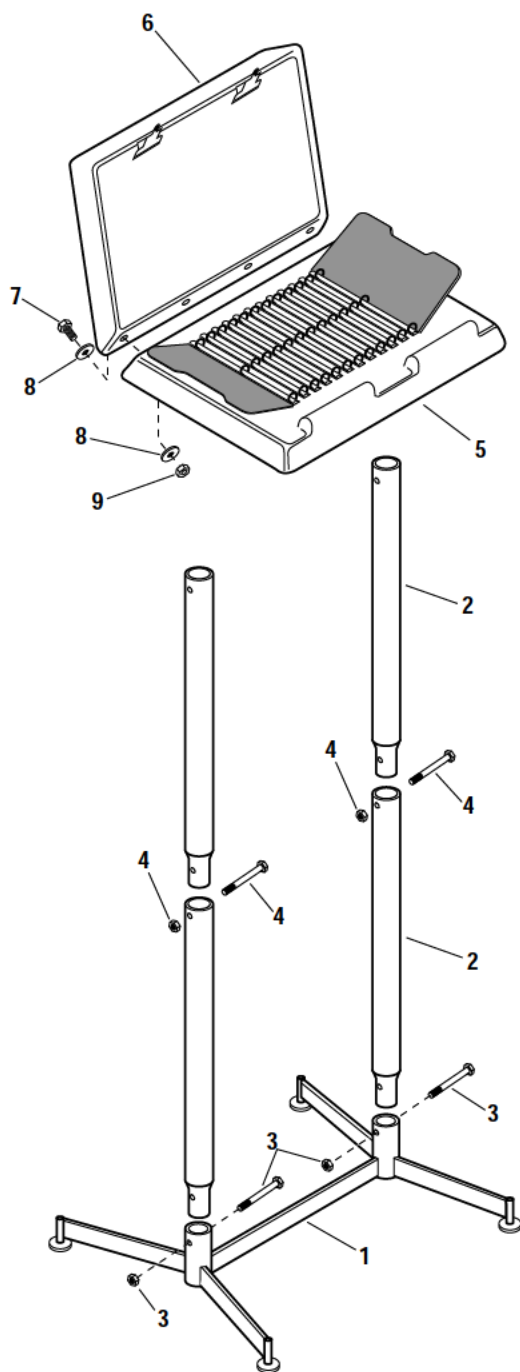




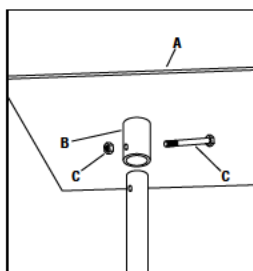
Assembly Instructions 1700S Catalog Display Stand



NOTE: This stand may be assembled with writing surface (item 5) at a height suitable for either standing use or seated use. To assemble for seated use, substitute 11" long post section for 22 1/2" long section (item 2).

Refer to illustration at left. *NOTE: The unit you are assembling may look slightly different than the illustration.*

1. Identify posts for stand (item 2).
2. Slide ends of lower posts (2) onto base (1). Secure with screws, nuts (3) and setscrews. Tighten. Slide upper posts into tops of lower posts. Secure with screws and nuts (4). Tighten.
3. Snap glides into base.
4. Slide sleeves beneath catalog display panel (5) onto top of stand. Secure with screw and nut in each sleeve (C on detail 1).
5. Assemble upper display panel (6) to catalog display panel (5) using bolts, flat washers and hex nuts (7, 8, 9). Tighten securely.



-Detail 1-
Assembling catalog
display panel to post.



Workplace Solutions

600 South Clark St.
Mayville, WI 53050
Phone: 920-387-4120
Fax: 920-387-4189



Zampini Industrial Group

Trusted Industrial Suppliers Since 1986

85 Industrial Circle, Suite 2211

Lincoln, RI 02865

USA

Factory Authorized Gleason Reel Suppliers
FAST Quotes, FAST Delivery!



ZAMPINI INDUSTRIAL GROUP



Contact Us For Your Gleason Reel Products and Parts Today!

Email Us

Call Us

Fax Us



info@AirToolPro.com

1-800-353-4676
1-401-305-7997

1-401-305-7988



We Respond **FAST!**
Minimize Your Downtime!



Numerous Ways To Get Pricing



Guaranteed Satisfaction!
Excellent Service Since 1967!



Everyday Discounts
Quantity Discounts
Email Specials
Low Price Guarantee