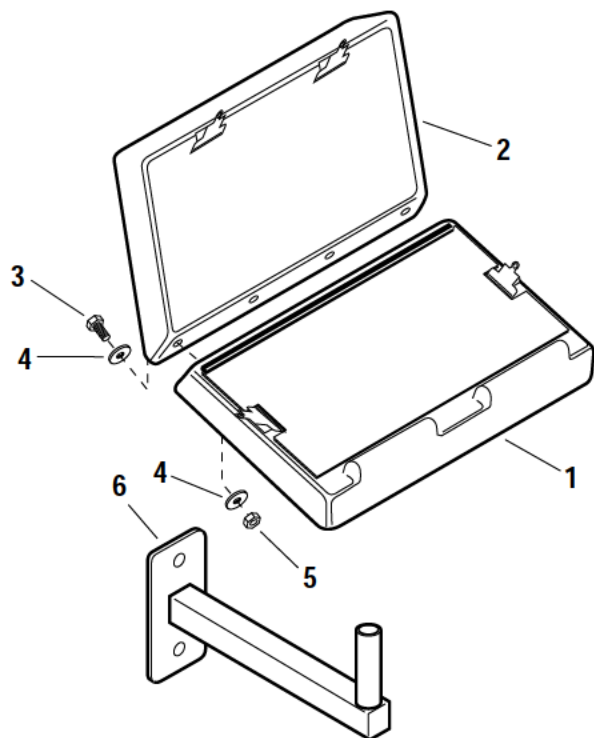




Assembly Instructions A900SW & A1000SW Wall Mounted Document Display



Refer to illustration at left. *NOTE: The unit you are assembling may look slightly different than the illustration.*

1. Attach writing surface (1) to display surface (2) using bolts, flat washers and hex nuts (3, 4, 5). Tighten securely.
2. Securely mount wall mount (item 6) to wall, column or other suitable support. Make sure nothing will interfere with proper positioning of writing/display panel assembly.
3. Slide assembled writing surface/display surface on top of wall mount.



Workplace Solutions

600 South Clark St.
Mayville, WI 53050
Phone: 920-387-4120
Fax: 920-387-4189



Zampini Industrial Group

Trusted Industrial Suppliers Since 1986

85 Industrial Circle, Suite 2211

Lincoln, RI 02865

USA

Factory Authorized Gleason Reel Suppliers
FAST Quotes, FAST Delivery!



ZAMPINI INDUSTRIAL GROUP



Contact Us For Your Gleason Reel Products and Parts Today!

Email Us

Call Us

Fax Us



info@AirToolPro.com

1-800-353-4676
1-401-305-7997

1-401-305-7988



We Respond FAST!
Minimize Your Downtime!



Numerous Ways To Get Pricing



Guaranteed Satisfaction!
Excellent Service Since 1967!



Everyday Discounts
Quantity Discounts
Email Specials
Low Price Guarantee