



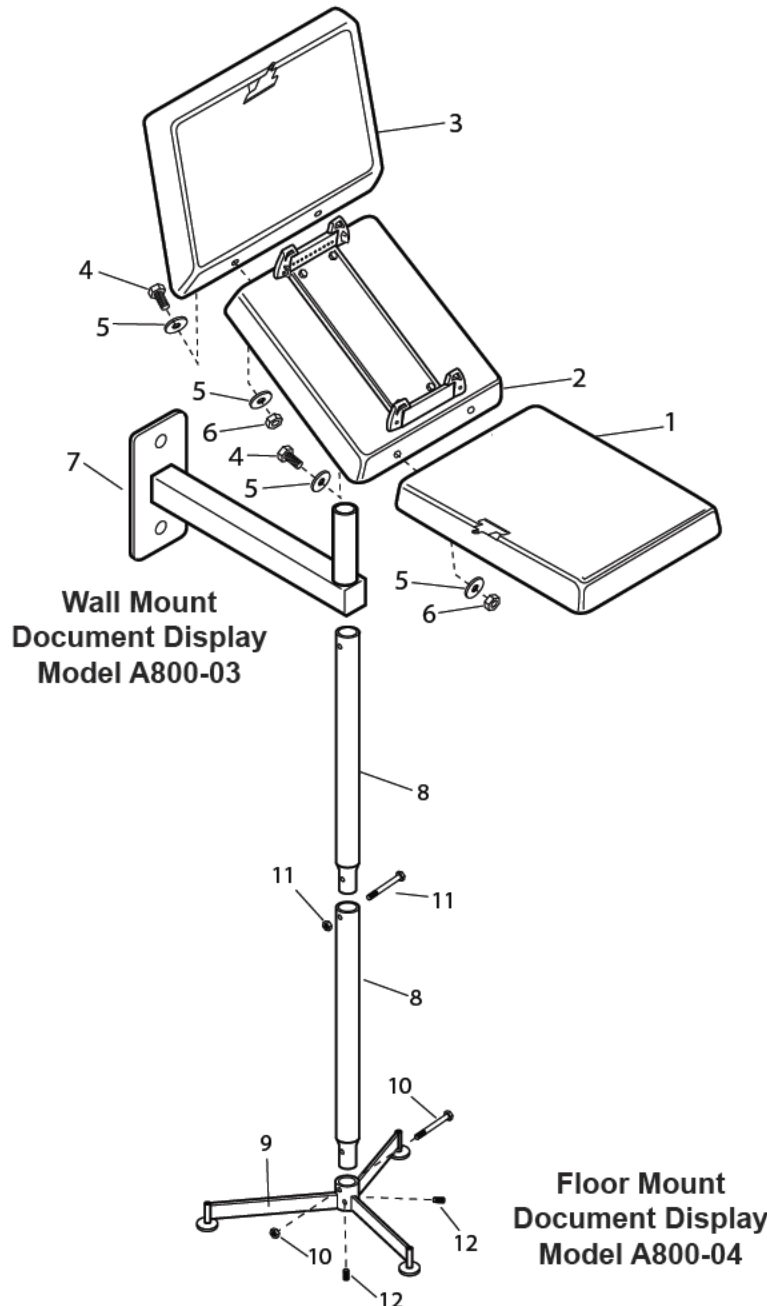
## Assembly Instructions A800-03 & A800-04 Document Display

Refer to illustration at left. *NOTE: the unit you are assembling may look slightly different than the illustration.*

1. Attach writing panel (1) to document protector display assembly (2) using bolts, flat washers and hex nuts (4, 5, 6). Tighten securely.
2. Attach upper display panel (3) to document protector display assembly (2) using bolts, flat washers and hex nuts (4, 5, 6). Tighten securely.
3. **Model A800-03** - Securely mount wall mount (7) to wall, column or other suitable support. Make sure nothing will interfere with proper positioning of display assembly (assembly in steps 1 & 2).

**Model A800-04** - Assemble base and column (8), Tighten with screws, nuts and setscrews (10, 11, 12). Snap glides into place on legs - bottom of base (9).

4. Slide display assembly on top of wall mount or base mount.
5. Install page protector pockets into pocket support.



**Workplace Solutions**

600 South Clark St.  
Mayville, WI 53050  
Phone: 920-387-4120  
Fax: 920-387-4189  
[www.hubbell.com/gleasonreel/en](http://www.hubbell.com/gleasonreel/en)

Part No. 2702.e



## Zampini Industrial Group

Trusted Industrial Suppliers Since 1986

85 Industrial Circle, Suite 2211

Lincoln, RI 02865

USA

Factory Authorized Gleason Reel Suppliers  
FAST Quotes, FAST Delivery!



### ZAMPINI INDUSTRIAL GROUP



Contact Us For Your Gleason Reel Products and Parts Today!

Email Us

Call Us

Fax Us



[info@AirToolPro.com](mailto:info@AirToolPro.com)

1-800-353-4676  
1-401-305-7997

1-401-305-7988



We Respond **FAST!**  
Minimize Your Downtime!



Numerous Ways To Get Pricing



Guaranteed Satisfaction!  
Excellent Service Since 1967!



Everyday Discounts  
Quantity Discounts  
Email Specials  
Low Price Guarantee