

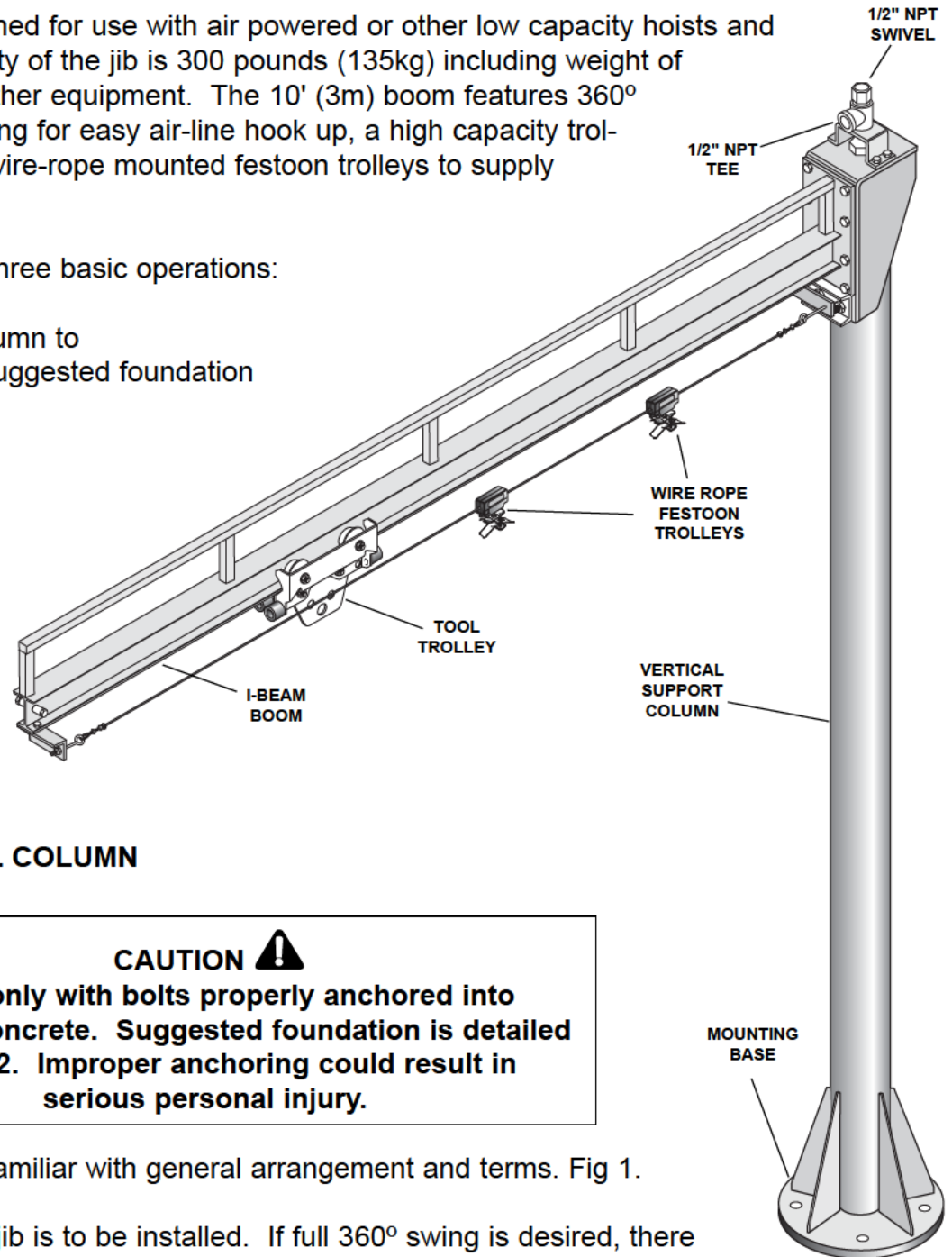
## INSTALLATION INSTRUCTIONS

# 300 lb. Capacity Tool Jib with Swivel Air Fitting

The 300 lb. Jib is designed for use with air powered or other low capacity hoists and balancers. Total capacity of the jib is 300 pounds (135kg) including weight of hoists, balancers and other equipment. The 10' (3m) boom features 360° rotation, a swivel air fitting for easy air-line hook up, a high capacity trolley with bumpers, and wire-rope mounted festoon trolleys to supply air to hoist or other tool.

Installation consists of three basic operations:

1. Attaching vertical column to suitable anchor bolts (suggested foundation is detailed on Page 2).
2. Affixing boom to top of vertical column.
3. Running air lines and adjusting festoon trolleys.

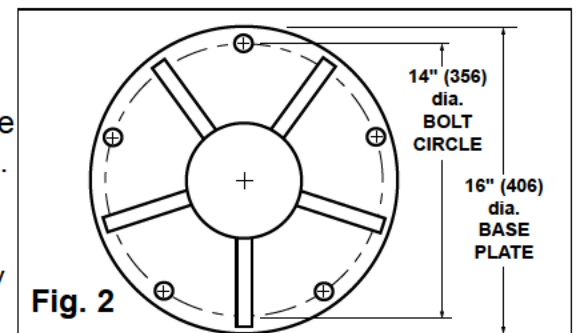


**Fig. 1**

### MOUNTING VERTICAL COLUMN

**CAUTION** **Install only with bolts properly anchored into reinforced concrete. Suggested foundation is detailed on page 2. Improper anchoring could result in serious personal injury.**

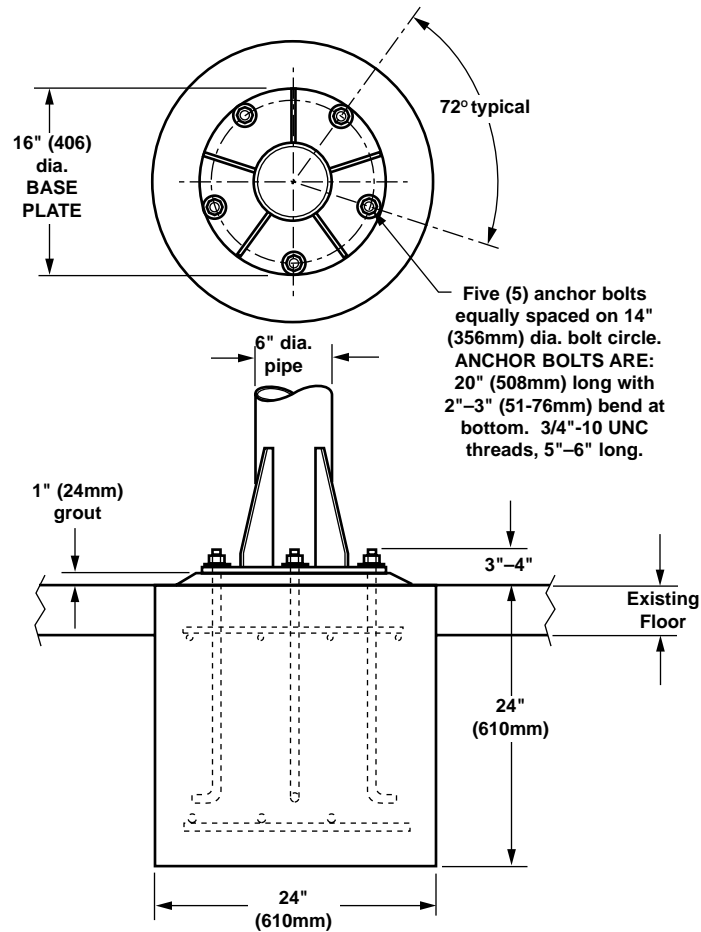
1. Become thoroughly familiar with general arrangement and terms. Fig 1.
2. Select area in which jib is to be installed. If full 360° swing is desired, there must be no obstructions within a 20' (6m) diameter x 12' (2.4m) high area.
3. Determine anchoring to be used. A full foundation, as detailed on following page, is recommended. Five 3/4" anchor bolts, extending 3"-4" (76-102mm) above concrete floor surface, must be equally spaced on 14" (356mm) dia. circle. Fig. 2.
4. Erect, level, shim & grout, and bolt down column. Allow to thoroughly set. **NOTE: Column must be plumb.**



**Fig. 2**

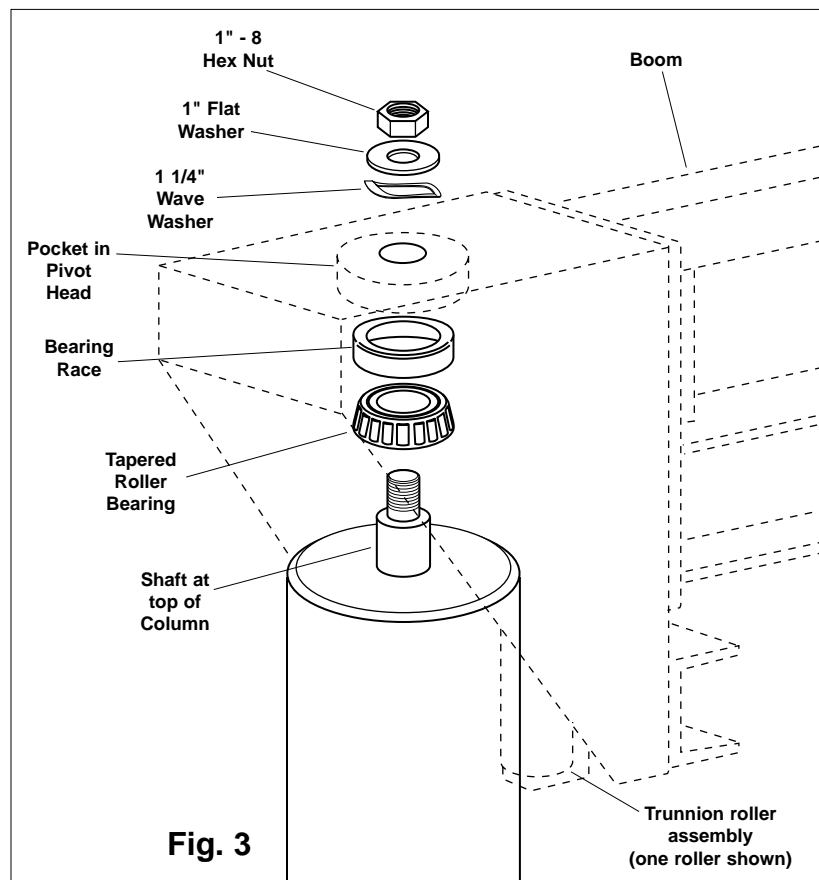
### SUGGESTED FOUNDATION

24" (610MM) X 24" (610MM) deep reinforced concrete. Soil pressure 2500 lb/sq. ft. 3000 lb./sq. in. compressive concrete. Place 1/2" dia. reinforcing rods at top and 5/8" reinforcing rods at bottom in an opposing pattern in two layers 16" apart with 6" spacing between rods in same layer.



### ATTACHING BOOM TO COLUMN

5. Liberally apply grease to tapered bearing. Slide bearing onto shaft at top of column. Small diameter of bearing must be up. Fig. 3.
6. Push bearing race into pocket of pivot head. Fig. 3.
7. Raise boom assembly over column and lower until bearing race engages tapered bearing.
8. Place wave washer and flat washer onto shaft. Screw on nut and tighten.
9. Adjust trunnion roller assembly to both level boom and achieve smooth rotation.



## AIR LINES

10. Provide 1/2" NPT air line to top of swivel joint at top of jib pivot. Refer to Fig. 1 for location.
11. Hang air balancer or other tools from trolley.
12. Provide required air hose from 1/2" NPT tee fitting (beneath swivel joint) to air balancer or tool.
13. Use wire rope festoon trolleys to carry air hose from tee to tool. Loop air hose as shown to allow free trolley movement. Fig 4.

## PRE-USE CHECKS

14. Check to make sure nut at pivot connection (Fig 2), trunnion rollers and air lines are tight and properly adjusted.
15. Slowly swing boom through entire rotation. Be sure bearing is properly seated and nothing interferes with boom movement.
16. If less than 360° rotation is desired, install Rotation Stops (optional extra) following instructions included with stop kit.

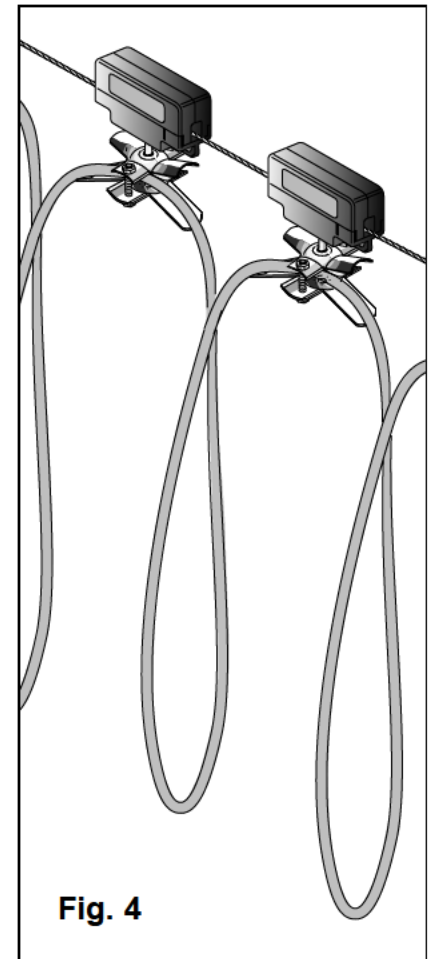
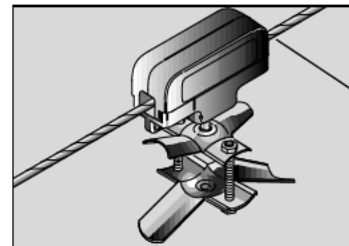
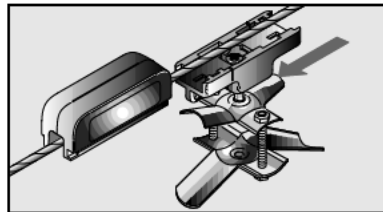


Fig. 4

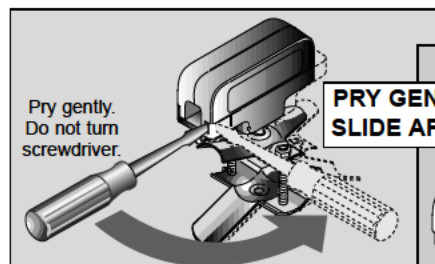
### • LOCK 'n ROLL TROLLEY INSTALLATION •

This jib is equipped with exclusive **LOCK 'n ROLL** wire rope festoon trolleys designed for 0.60"–0.94" (15-24mm) O.D. hose or cable.



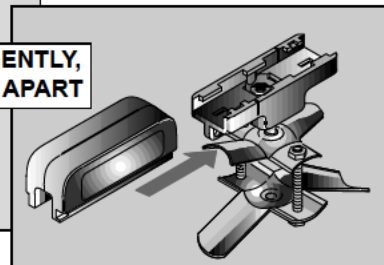
Trolleys fit wire rope up to and including 0.375"(9mm) O.D.

**To install trolley** – Place top section in position on wire rope. Slide sections together until they snap (lock) in place. **NOTE:** Sections may be assembled in only one way. Slide "un-blocked" end into "un-blocked" end. Do not force.



Pry gently. Do not turn screwdriver.

**PRY GENTLY, SLIDE APART**



**To remove** – Insert straight bladed screw driver into slot beside cable opening (not slit on side of trolley) and pry gently as shown above. Do not turn screwdriver. **Slide Apart**

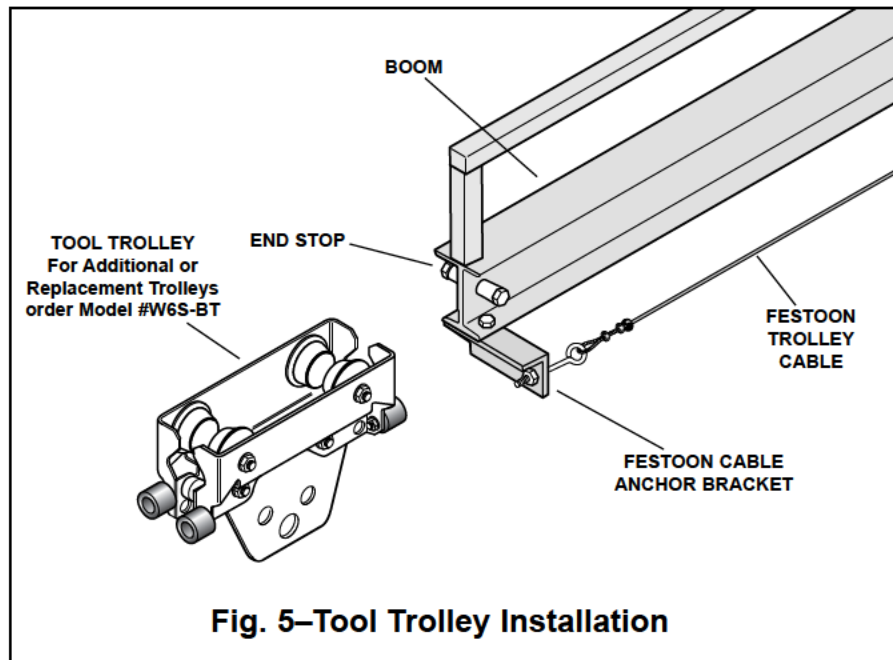
**MAINTENANCE**

1. During normal equipment inspection, perform the following checks and maintenance:
  - A. Check for wear on trolley wheels and anti-lift rollers. Wheel and anti-lift roller bearings on trolley are sealed and do not require routine maintenance.
  - B. Check for loose fasteners and nuts, especially the bolt affixing the I-beam to the top of the vertical column. Tighten if required.
  - C. Check festoon trolley cable for damage and tightness. Replace or tighten as required.
  - D. Check loop clamps on festoon trolleys for tightness. Tighten if required.
  - E. Check rollers on **Lock n' Roll** Festoon trolleys for wear. Replace if necessary.

**ADDING OR REPLACING TOOL TROLLEY**

NOTE: Jib is supplied with one tool trolley. If a second one is desired, or if trolley needs replacing, follow steps below:

1. Remove end stop and festoon cable anchor bracket at end of boom. Fig. 5.
2. Slide new trolley in place on I-beam.
3. Replace end stop and festoon anchor bracket removed in step one. Securely tighten.
4. Check festoon trolley cable for tightness. Tighten as required.



**Fig. 5—Tool Trolley Installation**

**PARTS LIST**

Tool Trolley .....	W6S-BT
Lock 'n Roll Festoon Trolley .....	FRT-05
Full Rotation Stop Kit .....	W6S-SK



**Workplace Solutions**

600 South Clark St.  
 Mayville, WI 53050  
 Phone 920-387-4120



# Zampini Industrial Group

Trusted Industrial Suppliers Since 1986

85 Industrial Circle, Suite 2211

Lincoln, RI 02865

USA

**Factory Authorized Gleason Reel Suppliers**  
**FAST Quotes, FAST Delivery!**



**ZAMPINI  
INDUSTRIAL  
GROUP**



Contact Us For Your Gleason Reel Products and Parts Today!

Email Us



[info@AirToolPro.com](mailto:info@AirToolPro.com)

Call Us



1-800-353-4676  
1-401-305-7997

Fax Us



1-401-305-7988



**We Respond  
FAST!**  
Minimize Your  
Downtime!



**Numerous  
Ways To  
Get Pricing**



**Guaranteed  
Satisfaction!**  
Excellent Service  
Since 1987!



**Everyday Discounts  
Quantity Discounts  
Email Specials  
Low Price Guarantee**