

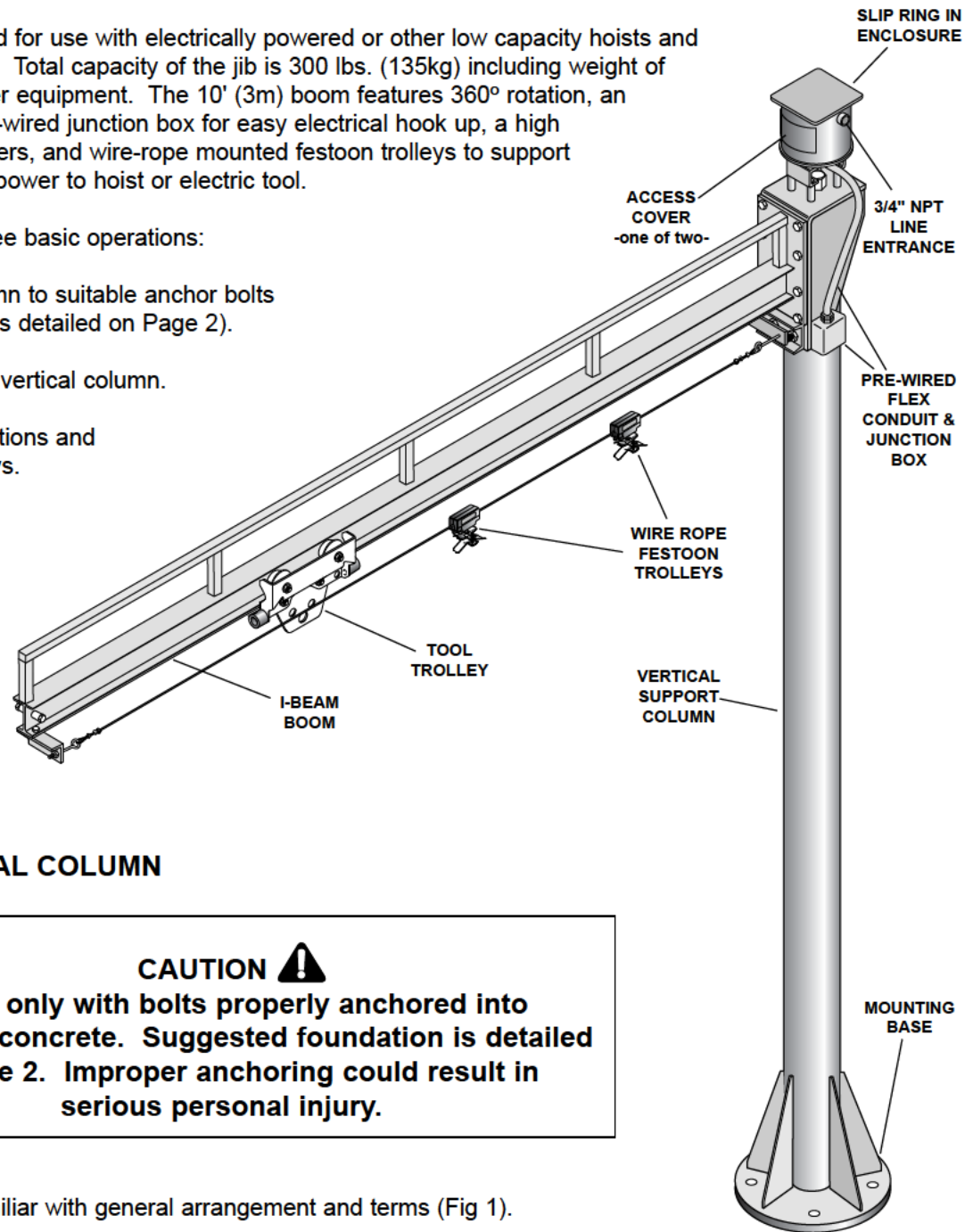
INSTALLATION INSTRUCTIONS

300 lb. Capacity Tool Jib with Electric Slip Rings

The 300 lb. Jib is designed for use with electrically powered or other low capacity hoists and balancers or electric tools. Total capacity of the jib is 300 lbs. (135kg) including weight of hoists, balancers and other equipment. The 10' (3m) boom features 360° rotation, an enclosed slip ring and pre-wired junction box for easy electrical hook up, a high capacity trolley with bumpers, and wire-rope mounted festoon trolleys to support cable supplying electrical power to hoist or electric tool.

Installation consists of three basic operations:

- I. Attaching vertical column to suitable anchor bolts (suggested foundation is detailed on Page 2).
- II. Affixing boom to top of vertical column.
- III. Making electric connections and adjusting festoon trolleys.



MOUNTING VERTICAL COLUMN

CAUTION **Install only with bolts properly anchored into reinforced concrete. Suggested foundation is detailed on page 2. Improper anchoring could result in serious personal injury.**

1. Become thoroughly familiar with general arrangement and terms (Fig 1).
2. Select area in which jib is to be installed. If full 360° swing is desired, there must be no obstructions within a 20' (6m) diameter x 12' (2.4m) high area.
3. Determine anchoring to be used. A full foundation, as detailed on following page, is recommended. Five 3/4" anchor bolts, extending 3"-4" (76-102mm) above concrete floor surface, must be equally spaced on 14" (356mm) dia. circle (Fig. 2).
4. Erect, level, shim & grout, and bolt down column. Allow to thoroughly set. **NOTE: Column must be plumb.**

Fig. 1

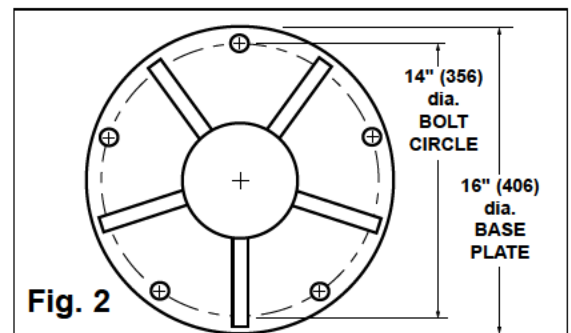
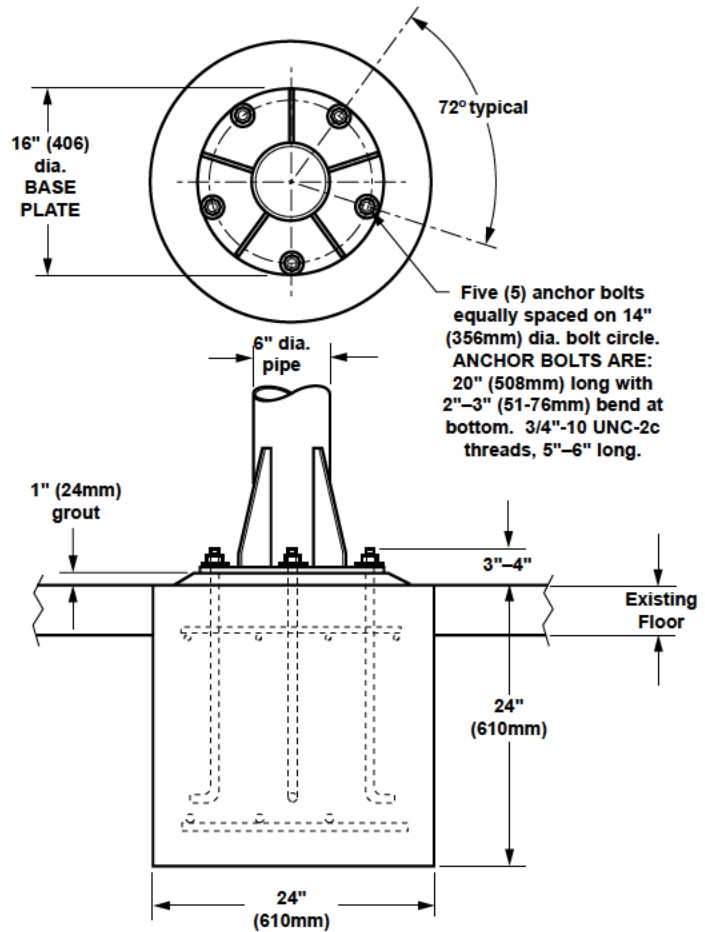


Fig. 2

SUGGESTED FOUNDATION

24" (610MM) X 24" (610MM) deep reinforced concrete. Soil pressure 2500 lb/sq. ft. 3000 lb./sq. in. compressive concrete. Place 1/2" dia. reinforcing rods at top and 5/8" reinforcing rods at bottom in an opposing pattern in two layers 16" apart with 6" spacing between rods in same layer.



ATTACHING BOOM TO COLUMN

5. Liberally apply grease to tapered bearing. Slide bearing onto shaft at top of column. Small diameter of bearing must be up (Fig. 3).

6. Push bearing race into pocket of pivot head (Fig. 3).

7. Raise boom assembly over column and lower until bearing race engages tapered bearing.

8. Place wave washer and flat washer onto shaft. Screw on nut and tighten.

9. Adjust trunnion roller assembly to both level boom and achieve smooth rotation.

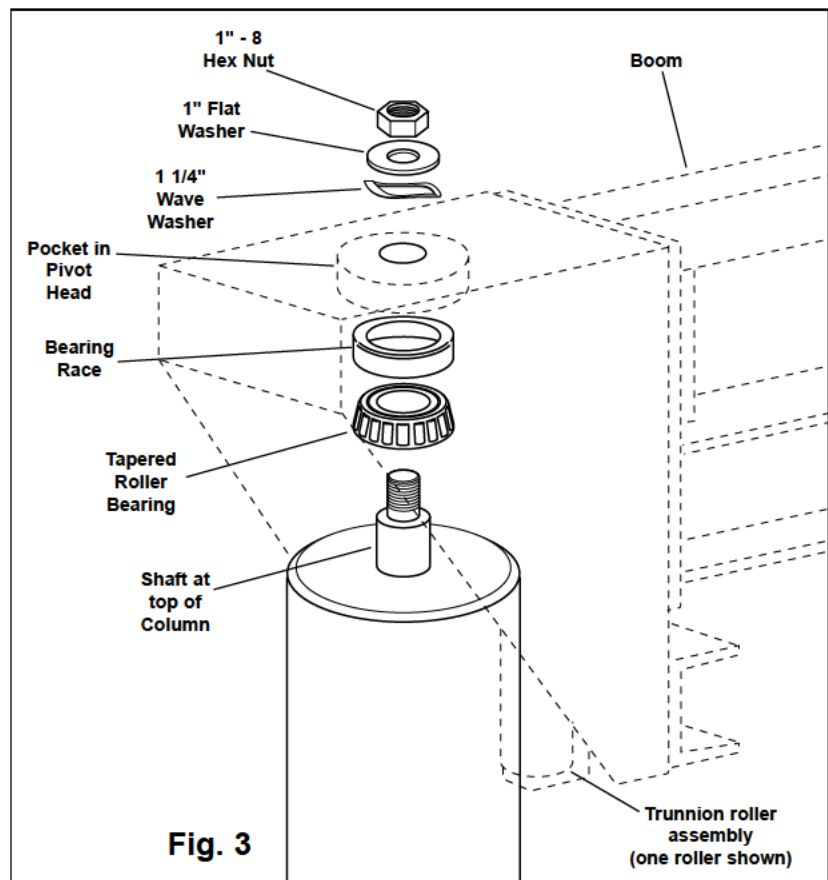


Fig. 3

ELECTRICAL CONNECTIONS

10. Provide rigid conduit to 3/4" line entrance on slip ring enclosure. Refer to Fig. 1 for location. **NOTE: Rigid conduit is required to prevent enclosure rotation during jib use.** Enclosure may be rotated to facilitate conduit installation but must be held stationary when jib is in use. Run cable through conduit and connect input leads to proper slip ring terminals.

11. Hang electric balancer or other tools from trolley.

12. Provide proper size electrical cable from junction box to electric balancer or tool. Install strain relief (not included) in junction box, insert cable and make required connections. **NOTE: Leads into junction box are numbered to correspond with terminals on slip ring.**

13. Use wire rope festoon trolleys to carry cable from junction box to tool. Loop cable as shown to allow free trolley movement (Fig 4).

PRE-USE CHECKS

14. Check to make sure nut at pivot connection (Fig 3) and trunnion rollers are tight and properly adjusted.

15. Slowly swing boom through entire rotation. Be sure bearing is properly seated and nothing interferes with boom movement.

16. If less than 360° rotation is desired, install Rotation Stops (optional extra) following instructions included with stop kit.

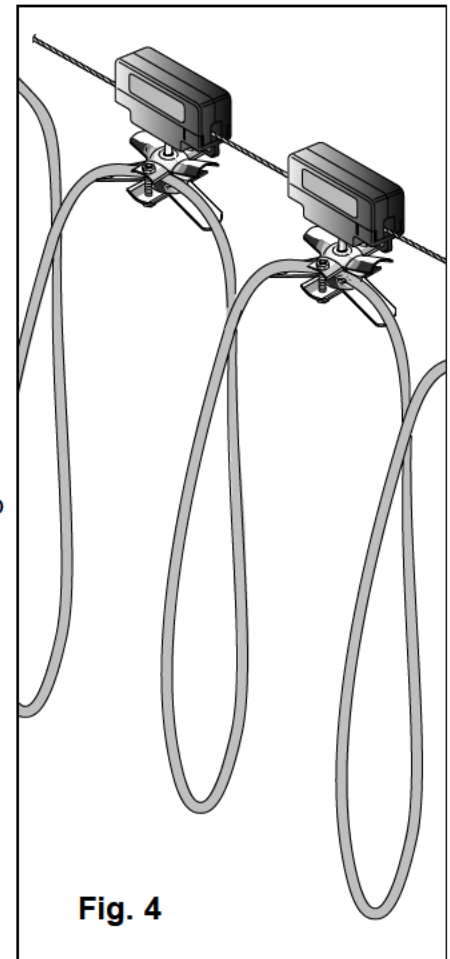
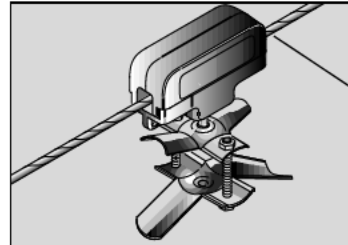
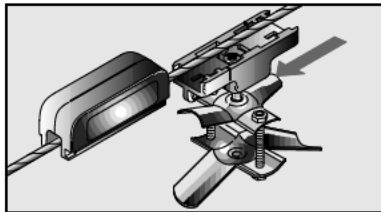


Fig. 4

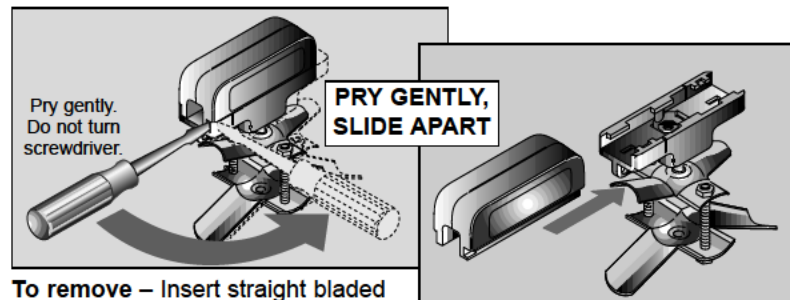
• LOCK 'n ROLL TROLLEY INSTALLATION •

This jib is equipped with exclusive **LOCK 'n ROLL** wire rope festoon trolleys designed for 0.60"–0.94" (15-24mm) O.D. hose or cable.



Trolleys fit wire rope up to and including 0.375"(9mm) O.D.

To install trolley – Place top section in position on wire rope. Slide sections together until they snap (lock) in place. **NOTE: Sections may be assembled in only one way. Slide "un-blocked" end into "un-blocked" end. Do not force.**



To remove – Insert straight bladed screw driver into slot beside cable opening (not slit on side of trolley) and pry gently as shown above. Do not turn screwdriver. **Slide Apart**

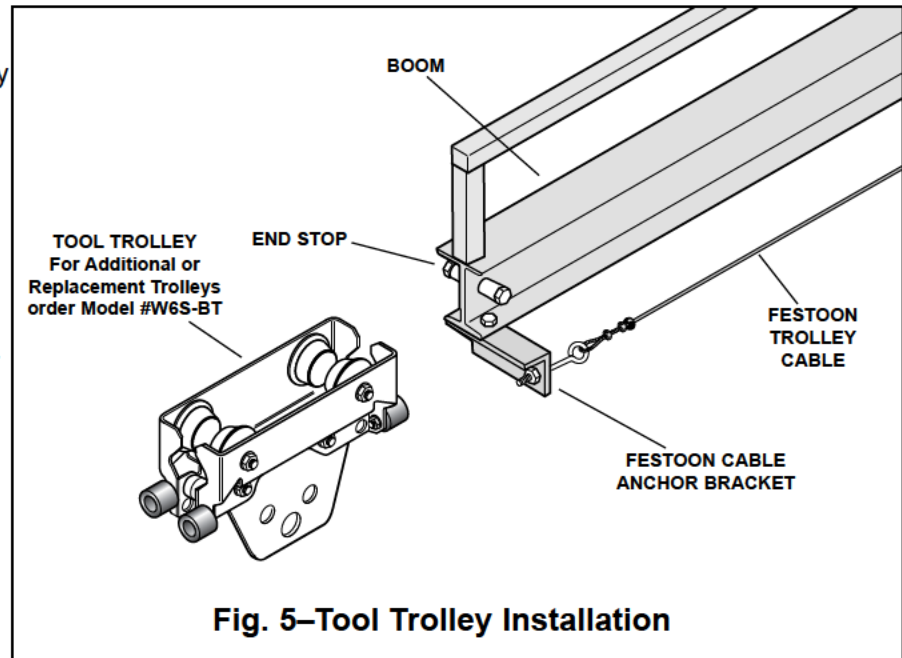
MAINTENANCE

1. During normal equipment inspection, perform the following checks and maintenance:
 - A. Check for wear on trolley wheels and anti-lift rollers. Wheel and anti-lift roller bearings on trolley are sealed and do not require routine maintenance.
 - B. Check for loose fasteners and nuts, especially the bolt affixing the I-beam to the top of the vertical column. Tighten if required.
 - C. Check festoon trolley cable for damage and tightness. Replace or tighten as required.
 - D. Check loop clamps on festoon trolleys for tightness. Tighten if required.
 - E. Check rollers on *Lock n' Roll* Festoon trolleys for wear. Replace if necessary.

ADDING OR REPLACING TOOL TROLLEY

NOTE: Jib is supplied with one tool trolley. If a second one is desired, or if trolley needs replacing, follow steps below:

1. Remove end stop and festoon cable anchor bracket at end of boom (Fig. 5).
2. Slide new trolley in place on I-beam.
3. Replace end stop and festoon anchor bracket removed in step one. Securely tighten.
4. Check festoon trolley cable for tightness. Tighten as required.



PARTS LIST

Tool Trolley	W6S-BT
Lock 'n Roll Festoon Trolley	FRT-05
Slip Ring including enclosure	SB360-430-Y
Stand-off Kit	SB360-SOK
Full Rotation Stop Kit	W6S-SK



Workplace Solutions

600 South Clark St.
Mayville, WI 53050
Phone 920-387-4120



Zampini Industrial Group

Trusted Industrial Suppliers Since 1986

85 Industrial Circle, Suite 2211

Lincoln, RI 02865

USA

Factory Authorized Gleason Reel Suppliers
FAST Quotes, FAST Delivery!



**ZAMPINI
INDUSTRIAL
GROUP**



Contact Us For Your Gleason Reel Products and Parts Today!

Email Us



info@AirToolPro.com

Call Us



1-800-353-4676
1-401-305-7997

Fax Us



1-401-305-7988



**We Respond
FAST!**
Minimize Your
Downtime!



**Numerous
Ways To
Get Pricing**



**Guaranteed
Satisfaction!**
Excellent Service
Since 1987!



**Everyday Discounts
Quantity Discounts
Email Specials
Low Price Guarantee**