

Suggested Anchoring

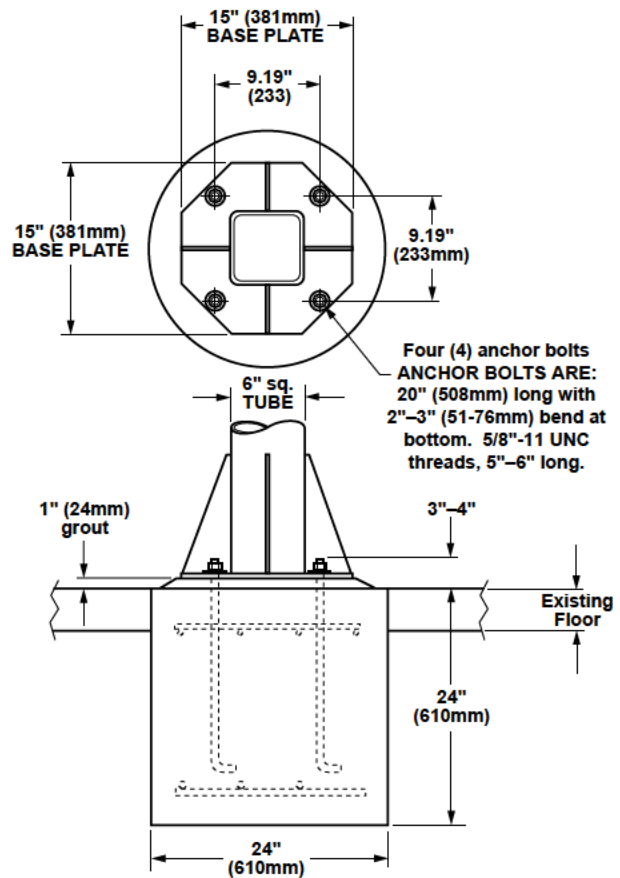
Model W5S-181202 18' Jib and Model WS00-VCS10 Support Column

⚠ WARNING

Improperly anchored jibs and support columns could result in personal injury or equipment damage. Be sure anchor bolts will withstand forces exerted on them by dynamic loads supported on jib boom.

FOUNDATION

24" (610MM) X 24" (610MM) deep reinforced concrete.
 Soil pressure 2500 lb/sq. ft.
 3000 lb./sq. in. compressive concrete.
 Place 1/2" dia. reinforcing rods at top and 5/8" reinforcing rods at bottom in an opposing pattern in two layers 16" apart with 6" spacing between rods in same layer .



Workplace Solutions

Gleason Reel Corp.
 600 South Clark St.
 Mayville, WI 53050
 Phone 920-387-4120



Zampini Industrial Group

Trusted Industrial Suppliers Since 1986

85 Industrial Circle, Suite 2211

Lincoln, RI 02865

USA

Factory Authorized Gleason Reel Suppliers
FAST Quotes, FAST Delivery!



**ZAMPINI
INDUSTRIAL
GROUP**



Contact Us For Your Gleason Reel Products and Parts Today!

Email Us



info@AirToolPro.com

Call Us



1-800-353-4676
1-401-305-7997

Fax Us



1-401-305-7988



**We Respond
FAST!**
Minimize Your
Downtime!



**Numerous
Ways To
Get Pricing**



**Guaranteed
Satisfaction!**
Excellent Service
Since 1987!



**Everyday Discounts
Quantity Discounts
Email Specials
Low Price Guarantee**