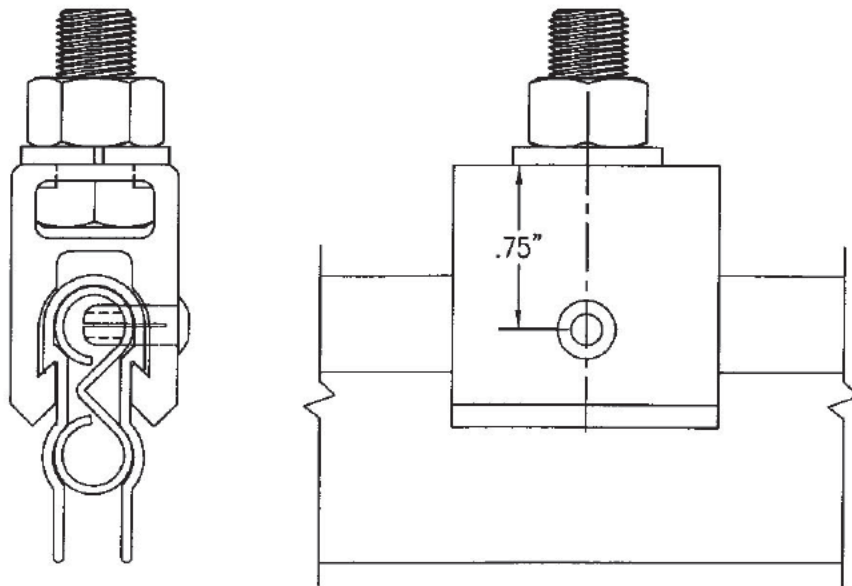


INSTALLATION INSTRUCTIONS FOR NYLON ANCHOR HANGER ASSEMBLIES

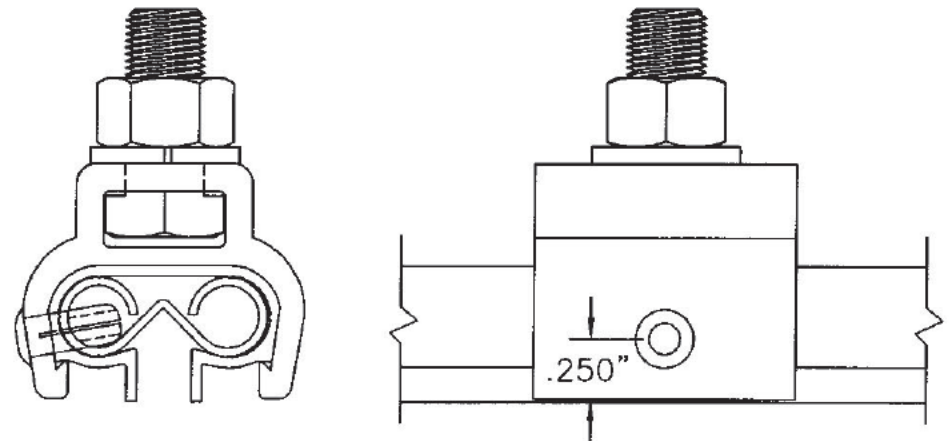
1. Snap the Conductor Bar assembly into the nylon anchor hanger.
2. Drill a 3/16" hole into the Conductor Bar using a the pre-drilled hole in the nylon anchor as a guide.
3. Insert the nylon insulating rivet into the hole through the nylon hanger and into the Conductor Bar. Tap the drive pin into the rivet (make sure that the drive pin is flush with the rivet's shoulder).

IMPORTANT:

Begin with the Conductor run that is closest to the runway beam or support structure and install the anchor rivet in that bar before snapping the next bar into the hanger.



Universal 8-Bar



Inverted V-Bar



Gleason Reel Corp.
600 S. Clark St, Mayville, WI 53050
PH: 920-387-4120 | FAX: 920-387-4189
www.hubbell-gleason.com

PN 635007



Zampini Industrial Group

Trusted Industrial Suppliers Since 1986

85 Industrial Circle, Suite 2211

Lincoln, RI 02865

USA

Factory Authorized Gleason Reel Suppliers
FAST Quotes, FAST Delivery!



**ZAMPINI
INDUSTRIAL
GROUP**



Contact Us For Your Gleason Reel Products and Parts Today!

Email Us



info@AirToolPro.com

Call Us



1-800-353-4676
1-401-305-7997

Fax Us



1-401-305-7988



**We Respond
FAST!**
Minimize Your
Downtime!



**Numerous
Ways To
Get Pricing**



**Guaranteed
Satisfaction!**
Excellent Service
Since 1987!



**Everyday Discounts
Quantity Discounts
Email Specials
Low Price Guarantee**