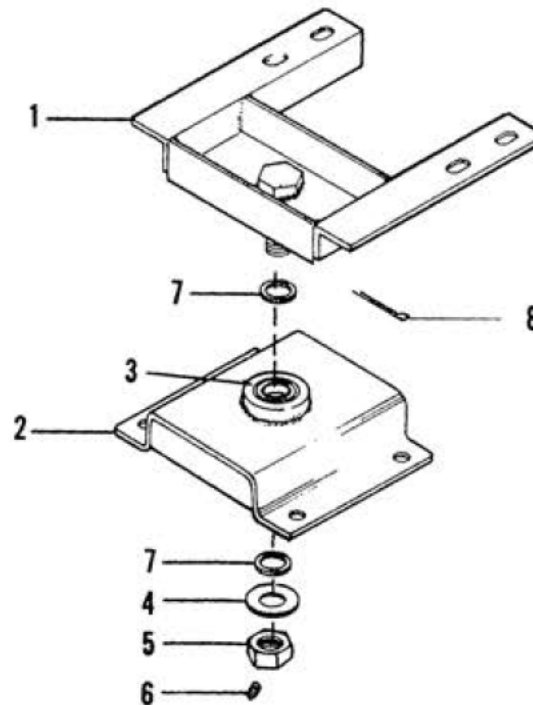


GLEASON REEL CORP.
 600 S. Clark St.
 Mayville, WI 53050
 PH: 920-387-4120
 www.hubbell-gleason.com

BULLETIN NO.
 GL20 - 07 - 08



GL20 - 07

ITEM	PART NO.	DESCRIPTION	REQ'D.
1	G86 - 12A	Swivel Assembly	1
2	G85 - 20A	Bottom Bracket Assembly	1
3	G36 - 59	Thrust Bearing	2
4	G37 - 28	Thrust Washer	1
5	009607	Nut	1
6	101269	Setscrew	1
7	G37 - 29	Spacer	2
8	117748	Cotter Pin	1

GL20 - 08

ITEM	PART NO.	DESCRIPTION	REQ'D.
1	G86 - 15	Swivel Assembly	1
2	G85 - 32	Bottom Bracket Assembly	1
3	G36 - 58	Thrust Bearing	2
4	G37 - 27	Thrust Washer	1
5	G38 - 12	Nut	1
6	101272	Setscrew	1
7	G37 - 24	Spacer	2
8	117750	Cotter Pin	1

Always Specify Serial Number & Model When Ordering Parts.



Zampini Industrial Group

Trusted Industrial Suppliers Since 1986

85 Industrial Circle, Suite 2211

Lincoln, RI 02865

USA

Factory Authorized Gleason Reel Suppliers
FAST Quotes, FAST Delivery!



**ZAMPINI
INDUSTRIAL
GROUP**



Contact Us For Your Gleason Reel Products and Parts Today!

Email Us



info@AirToolPro.com

Call Us



1-800-353-4676
1-401-305-7997

Fax Us



1-401-305-7988



**We Respond
FAST!**
Minimize Your
Downtime!



**Numerous
Ways To
Get Pricing**



**Guaranteed
Satisfaction!**
Excellent Service
Since 1987!



**Everyday Discounts
Quantity Discounts
Email Specials
Low Price Guarantee**